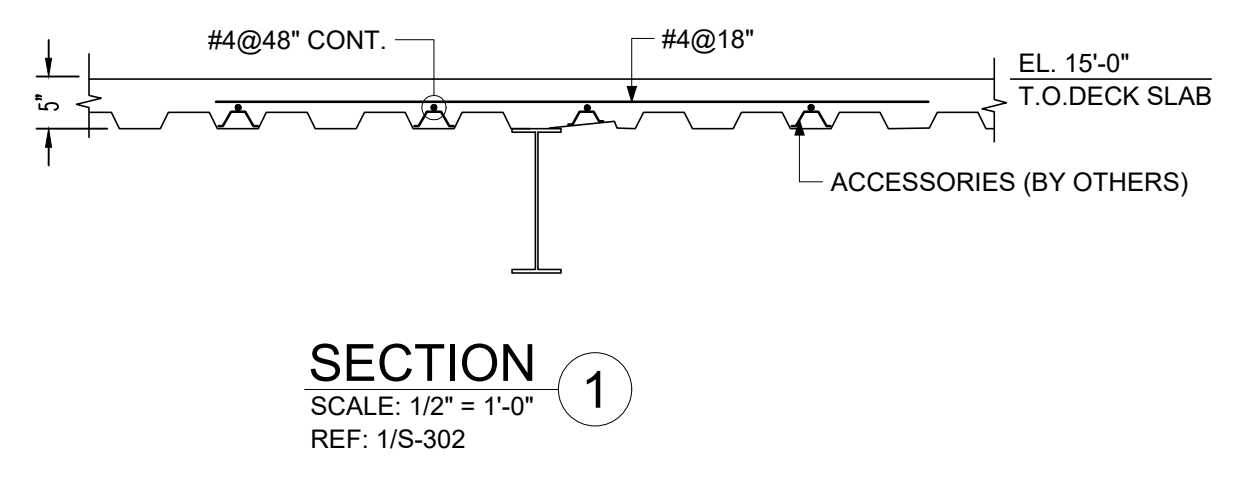
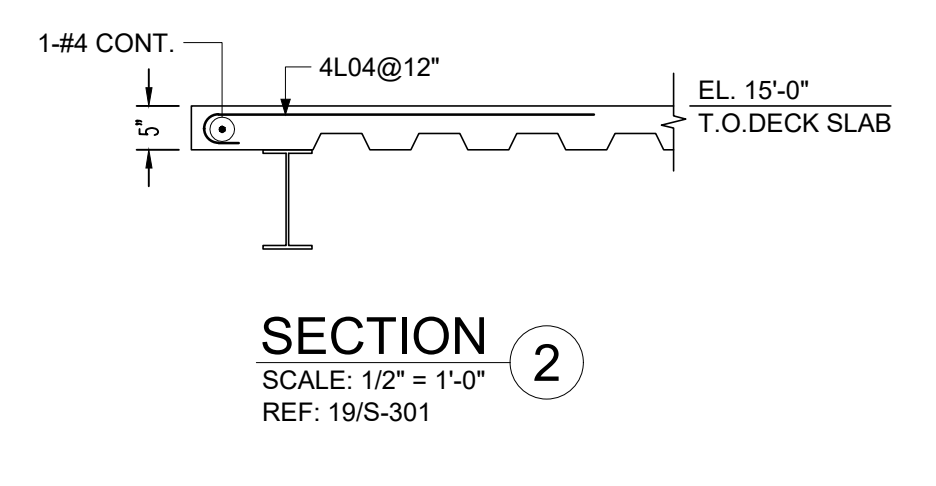


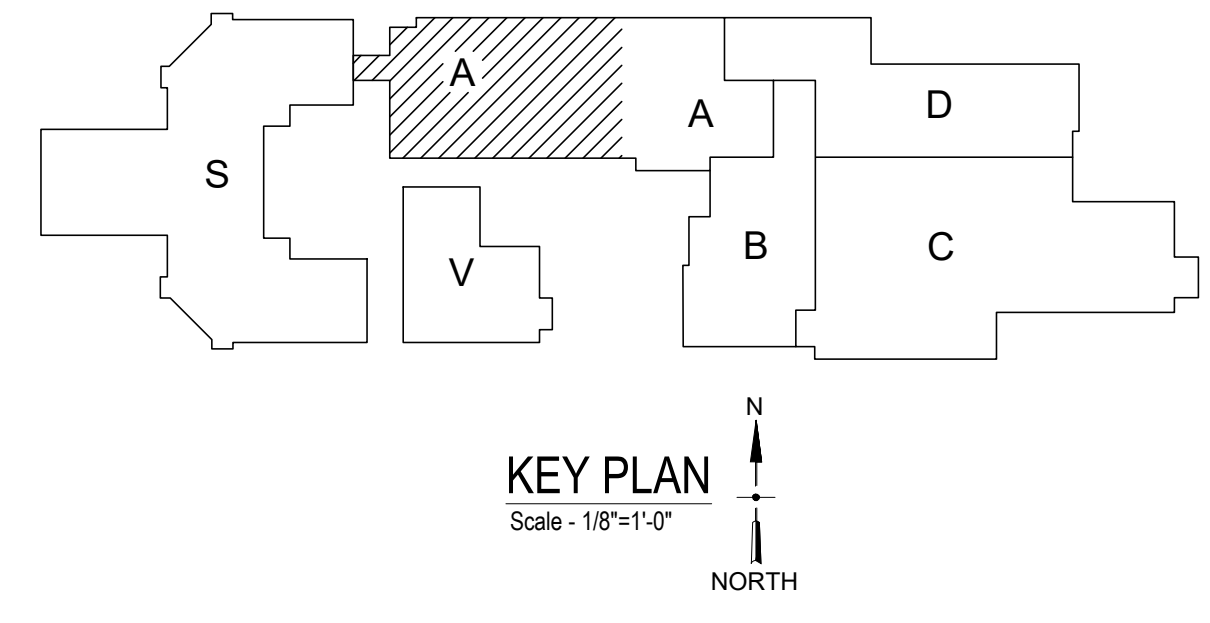
AREA -A METAL DECK SLAB REINF. DETAILS - PLAN  
 Scale - 1/8"=1'-0"  
 REF: S-102A



SECTION 1  
 SCALE: 1/2" = 1'-0"  
 REF: 1/S-302



SECTION 2  
 SCALE: 1/2" = 1'-0"  
 REF: 19/S-301



KEY PLAN  
 Scale - 1/8"=1'-0"  
 NORTH

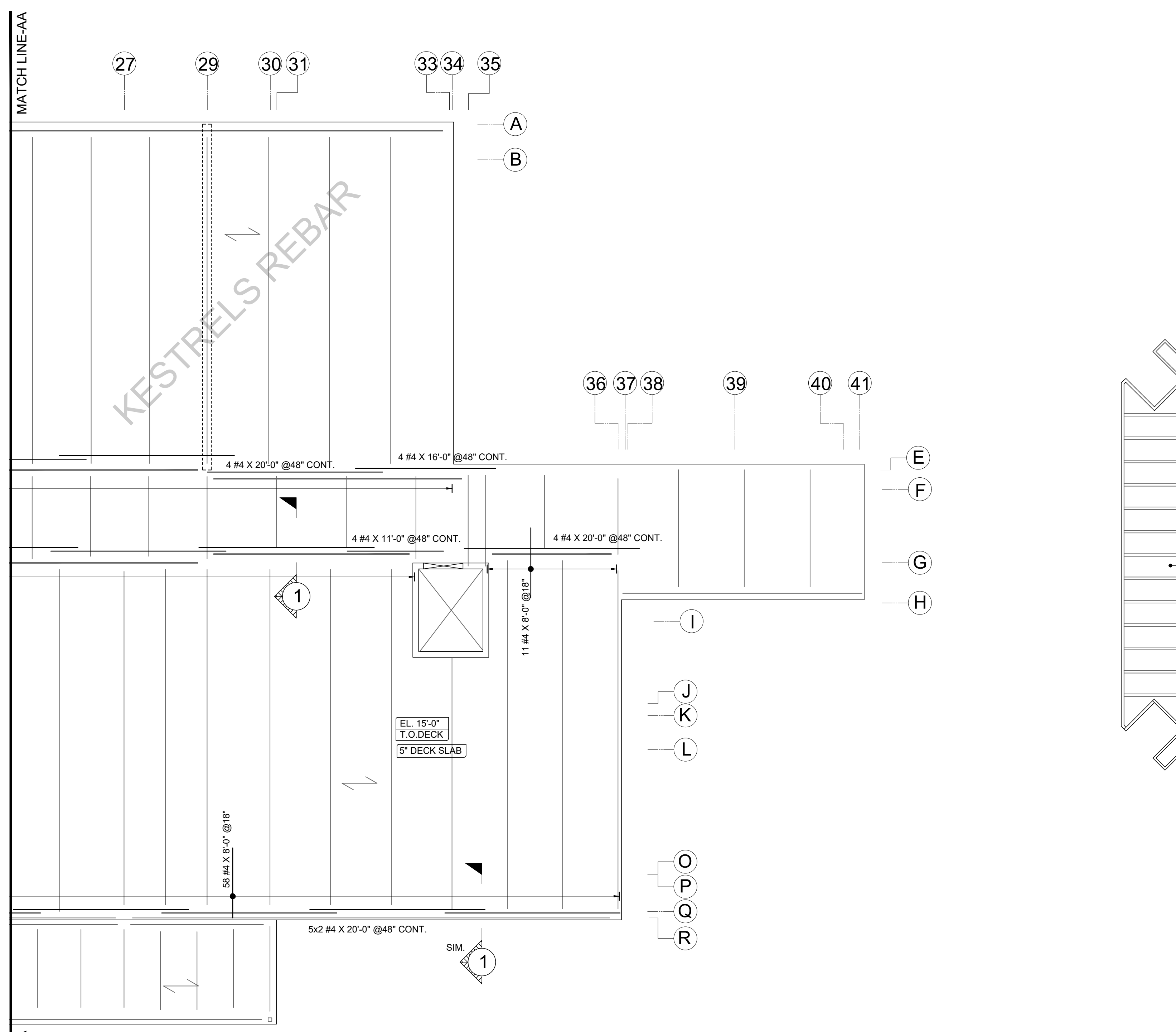
SIZE	LAP SCHEDULE FOR LIGHT WIGHT CONCRETE (CLASS-B)	
	3000 PSI	OTHER
#3	28"	
#4	37"	
#5	47"	
#6	56"	
#7	81"	
#8	93"	
#9	105"	
#10	118"	
#11	131"	

ABBREVIATIONS	
CORNER BAR	COR.
CONTINUOUS	CONT.
LONG WAY	LW
SHORT WAY	SW

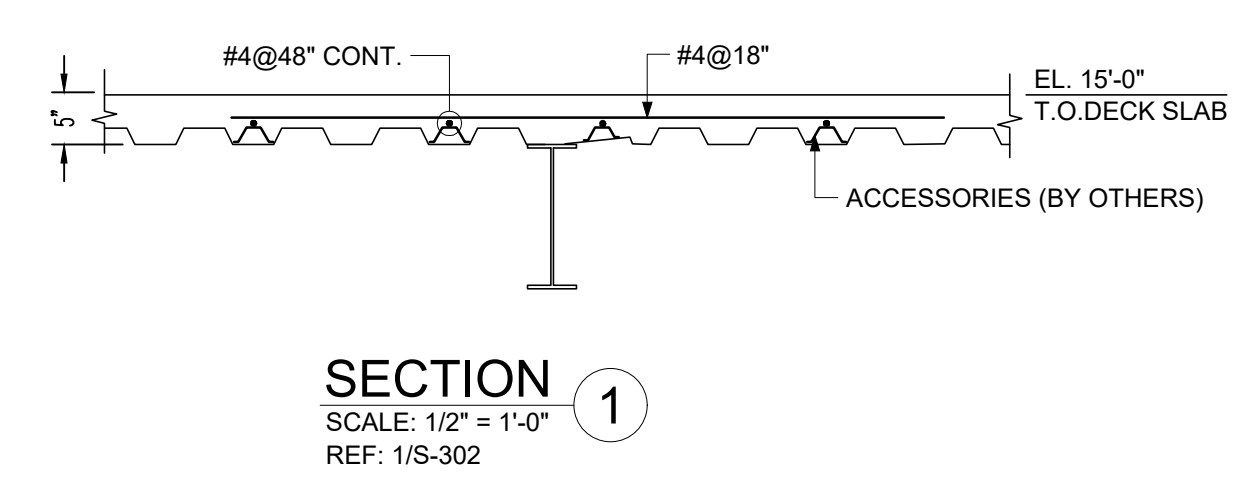
  

NOTES:-	
1. TYPICAL CLEARANCES DECK SLAB	
A) TOP	- 2"
B) SIDE	- 2"
2. PROVIDE FIELD CUT AS REQUIRED LOCATIONS	
3. BARS TO BE PLACED AT EQUAL SPACING U.O.N.	
4. TILT HOOK TO ACCOMMODATE THE COVER, IF NEED	

ALL BARS ARE ASTM A615 GRADE 60 BLACK



CONT. AREA - A METAL DECK SLAB REINF. DETAILS - PLAN  
Scale - 1/8"=1'-0"  
REF: S-102A

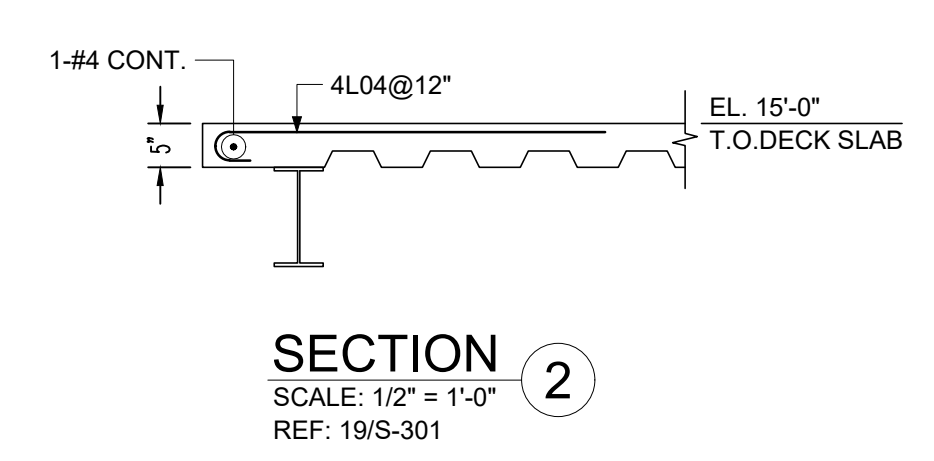


SECTION 1  
SCALE: 1/2" = 1'-0"  
REF: 1/S-302

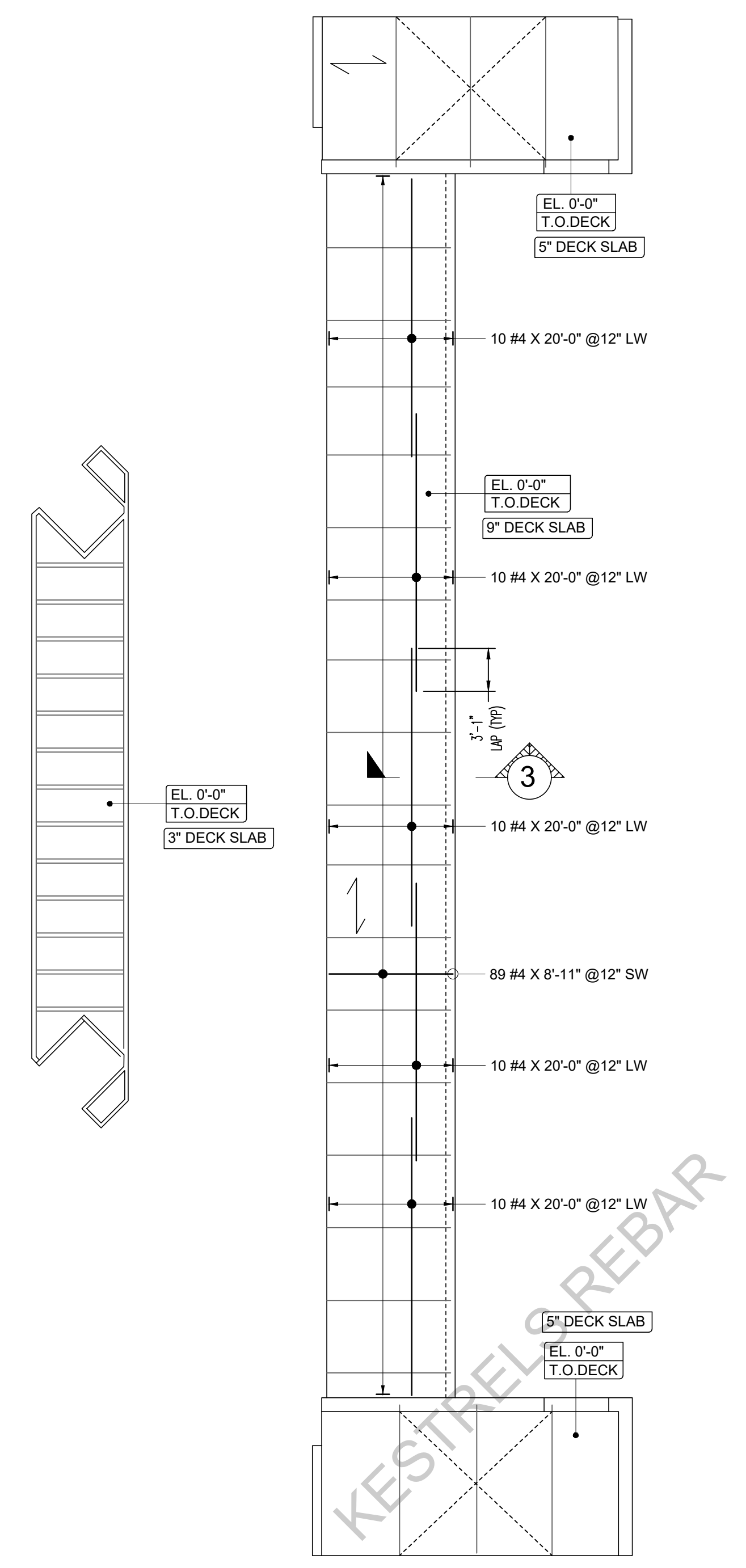
Drawing Sheet: 8-09

Bar Mark	Qty	Size	Total Length	Wt	X	Y	W	Y	W	Y	W	Y	W	Y
4L01	1	#4	12'-0"	17	4'-0"	6'-0"								
4L02	1	#4	10'-0"	17	3'-2"	7'-4"								
4L03	1	#4	9'-10"	17	3'-2"	6'-8"								
4L04	218	#4	4'-6"	1	0'-6"	4'-0"					0'-4"			
4L05	1	#4	11'-9"	17	3'-2"	6'-7"								

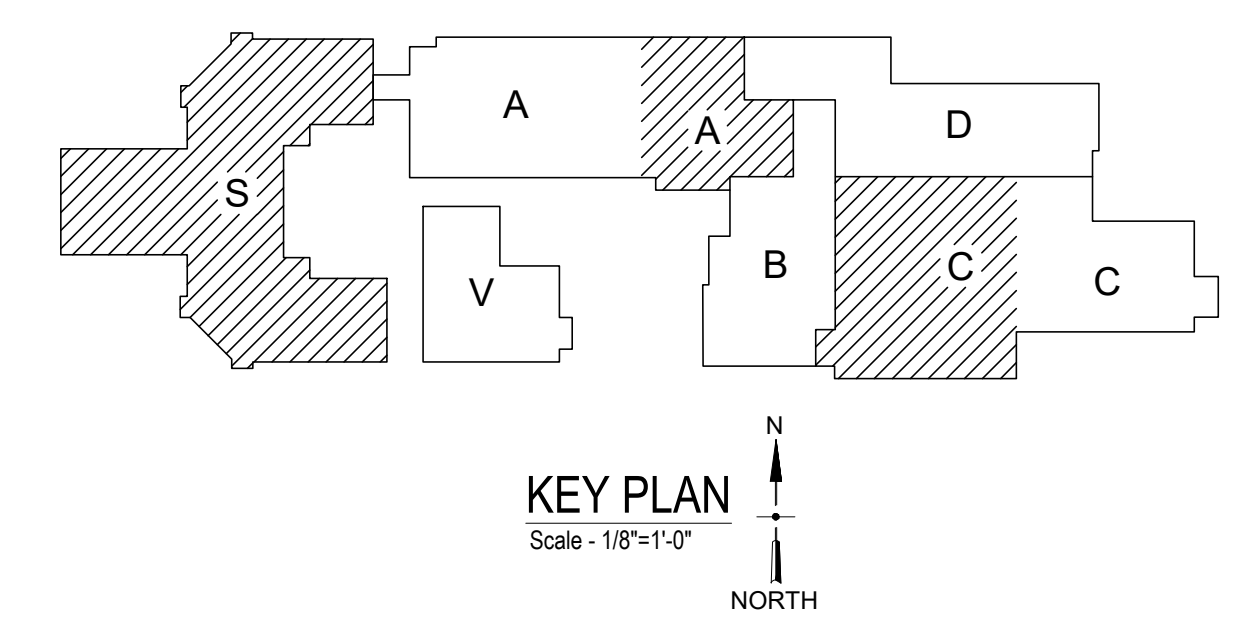
17



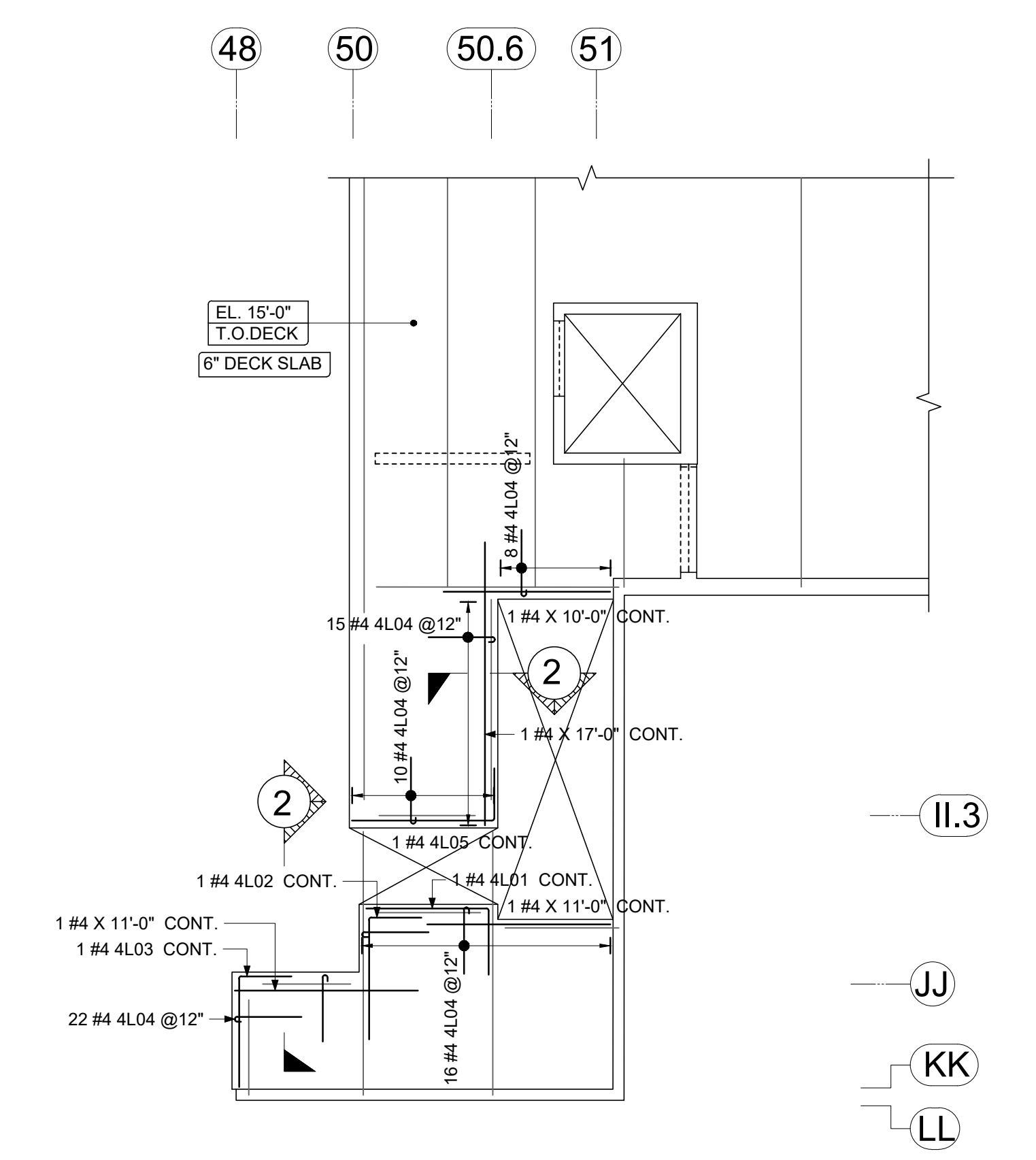
SECTION 2  
SCALE: 1/2" = 1'-0"  
REF: 19/S-301



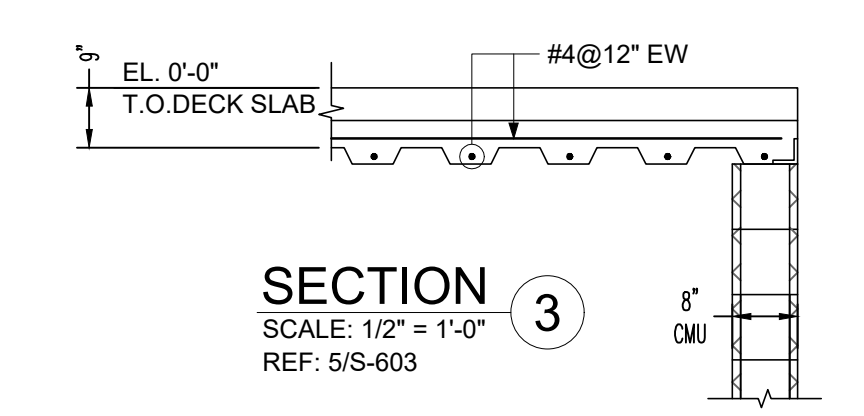
AREA - S METAL DECK SLAB REINF. DETAILS - PLAN  
Scale - 1/8"=1'-0"  
REF: S-101S2



KEY PLAN  
Scale - 1/8"=1'-0"  
NORTH



AREA - C METAL DECK SLAB REINF. DETAILS - PLAN  
Scale - 1/8"=1'-0"  
REF: S-102C



SECTION 3  
SCALE: 1/2" = 1'-0"  
REF: 5/S-603

LAP SCHEDULE FOR LIGHT WIGHT CONCRETE (CLASS-B)

SIZE	3000 PSI	OTHER
#3	28"	
#4	37"	
#5	47"	
#6	56"	
#7	61"	
#8	93"	
#9	105"	
#10	118"	
#11	131"	

- NOTES:-
1. TYPICAL CLEARANCES DECK SLAB  
A) TOP - 2"  
B) SIDE - 2"
  2. PROVIDE FIELD CUT AS REQUIRED LOCATIONS
  3. BARS TO BE PLACED AT EQUAL SPACING U.O.N.
  4. TILT HOOK TO ACCOMMODATE THE COVER, IF NEEDED

ABBREVIATIONS

CORNER BAR	COR.
CONTINUOUS	CONT.
LONG WAY	LW
SHORT WAY	SW

ALL BARS ARE ASTM A615 GRADE 60 BLACK